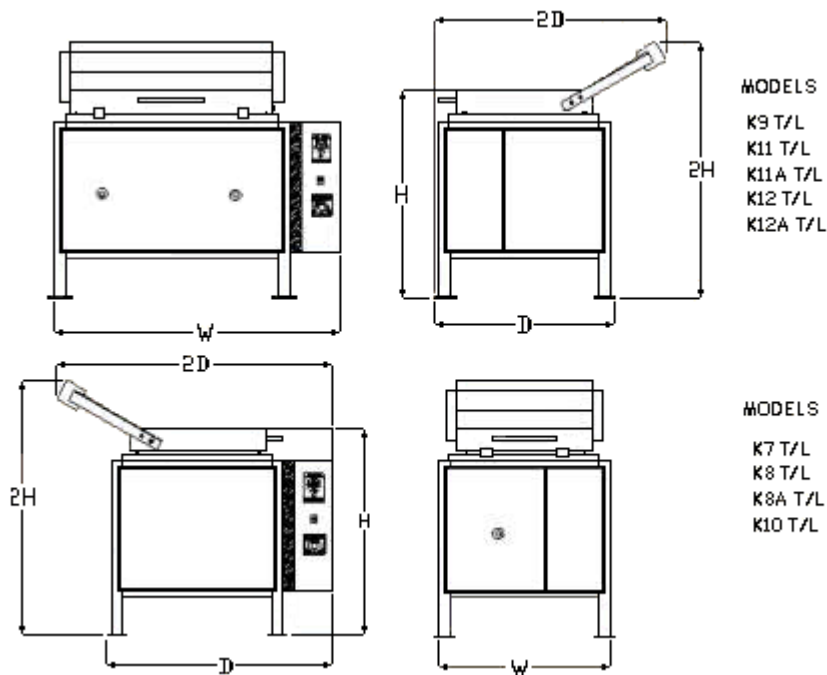


- Furnaces
- Electric in air to 2000.c
- Vacuum
- Heat Treatment
- Controlled Atmosphere
- Melting
- Gas to 2300.c

Large Kiln Sizes - Top Loaders



TOP LOADERS

All Dimensions are in millimetres

MODEL	EXTERNAL DIMENSIONS			NO2 DEPTH & HEIGHT		DIMENSIONS PACKED			WEIGHT KG
	W	D	H	2D	2H	W	D	H	
K7 T/L	812	1092	965	1575	1220	864	1143	1092	360
K8 T/L	812	1092	1118	1575	1372	864	1143	1245	410
K8A T/L	1295	1194	965	1473	1220	965	1245	1092	420
K9 T/L	1473	890	965	1372	1220	1524	940	1092	460
K10 T/L	965	1245	1118	1727	1372	1016	1295	1245	500
K11 T/L	1473	1042	965	1524	1220	1524	1092	1092	520
K11A T/L	1320	1042	1118	1524	1372	1372	1092	1245	530
K12 T/L	1473	1042	1118	1524	1372	1524	1092	1245	560
K12A T/L	2082	1042	1118	1524	1372	2132	1092	1245	620